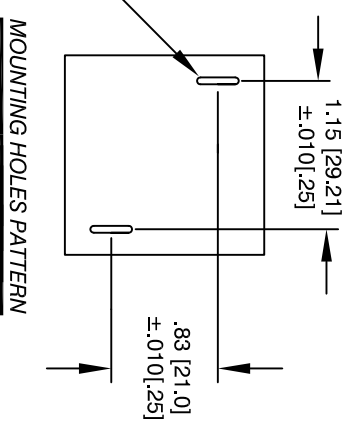
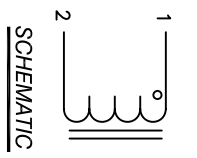
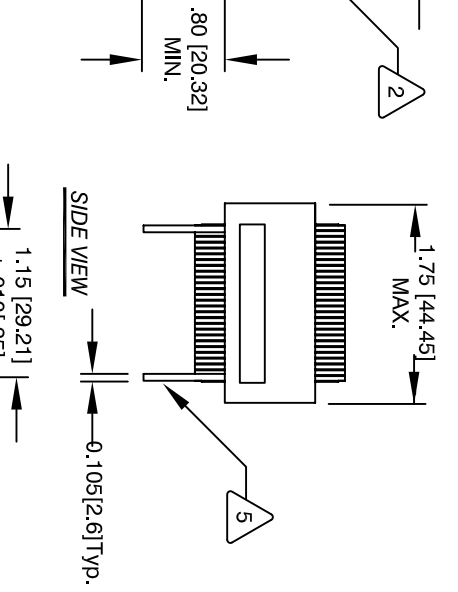
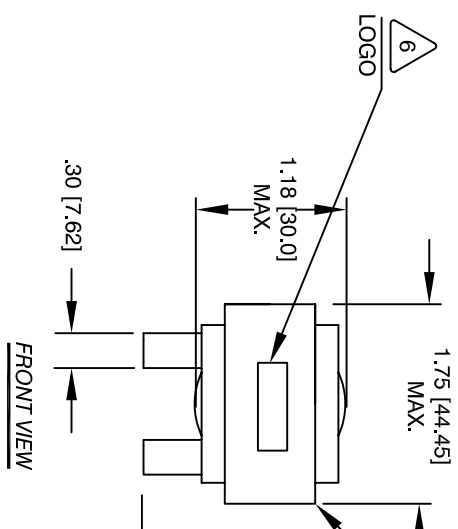


The information contained in this drawing is the sole property of CWS Coil Winding Specialist. Any reproduction in part or whole without written permission of CWS Coil Winding Specialist is prohibited.

REVISION HISTORY

REV	ECN	DESCRIPTION	BY	DATE	CHK	DATE
D		PRODUCTION RELEASE	BUN	6/06/07	JLJU	6/06/07
D1		UPDATED SPECIFICATIONS	GN	2/07/11	JLJU	2/07/11

- 8 BUILT TO ROHS COMPLIANCE AND LEAD FREE.
- \*\*IMPORTANT\*\*  
TO ACHIEVE THE DESIRED INDUCTANCE AND DCR THE CORES MUST TOUCH EACH OTHER
- 7 WHERE SHOWN, USING A PERMANENT MARKING METHOD MARK PART NUMBER AND REVISION APPROX OVER CORES, (PER NOTE 2)
- 6 APPLY EPOXY ON MATINGS SURFACES AND WRAP TAPE
- 5 REMOVE INSULATION AND TIN LEADS
- 4 PRE FORMED FLAT HELICAL COIL, HELIX WOULD EVENLY SPACED CONSTRUCTION



- 3 UNFINISHED WITH DOLPH EPOXY; UNIBON OR CWS APPROVED PART OUTER WRAP: 3M GLASS CLOTH OR CWS APPROVED PART WIRE: UL RECOGNIZED 200°C RATED MAGNET WIRE CORE: SENDUST/KOOLMU POWDER CORE @ 300°C
- 1 INSULATION CLASS 200°C REQUIRED MATERIAL: UL RECOGNIZED 94V-0 FOR FLAMMABILITY

NOTES: UNLESS OTHERWISE SPECIFIED, READ FROM BOTTOM UP.

QTY	CODE IDENT	MFG. P/N	DESCRIPTION	ITEM NO.
			<b>PARTS LIST</b>	
	AUTOCAD SOLIDWORKS			
	DRAWN	DATE	TITLE:	
	BUN	6/06/07	Helical Output Inductors	
	CHKD	6/06/07	180 Amps	
	ENGR	6/06/07	SIZE [DIM. NO.]	REV
	KSUM	6/06/07	B [E70340-010]	D1
	APPR	6/06/07	SCALE	
	JLJU		NOT TO SCALE	

UNLESS OTHERWISE SPECIFIED DIMENSIONING AND TOLERANCE PER ANSI Y14.5M AND [MILLIMETERS].

TOLERANCE INCHES: .XXX=±.010 XX=±.020 X=±.030 .XXX=±.254 XX=±.51

ANGLE PROJECTION DO NOT SCALE DRAWING